

Addendum

This addendum is applicable to the following document:

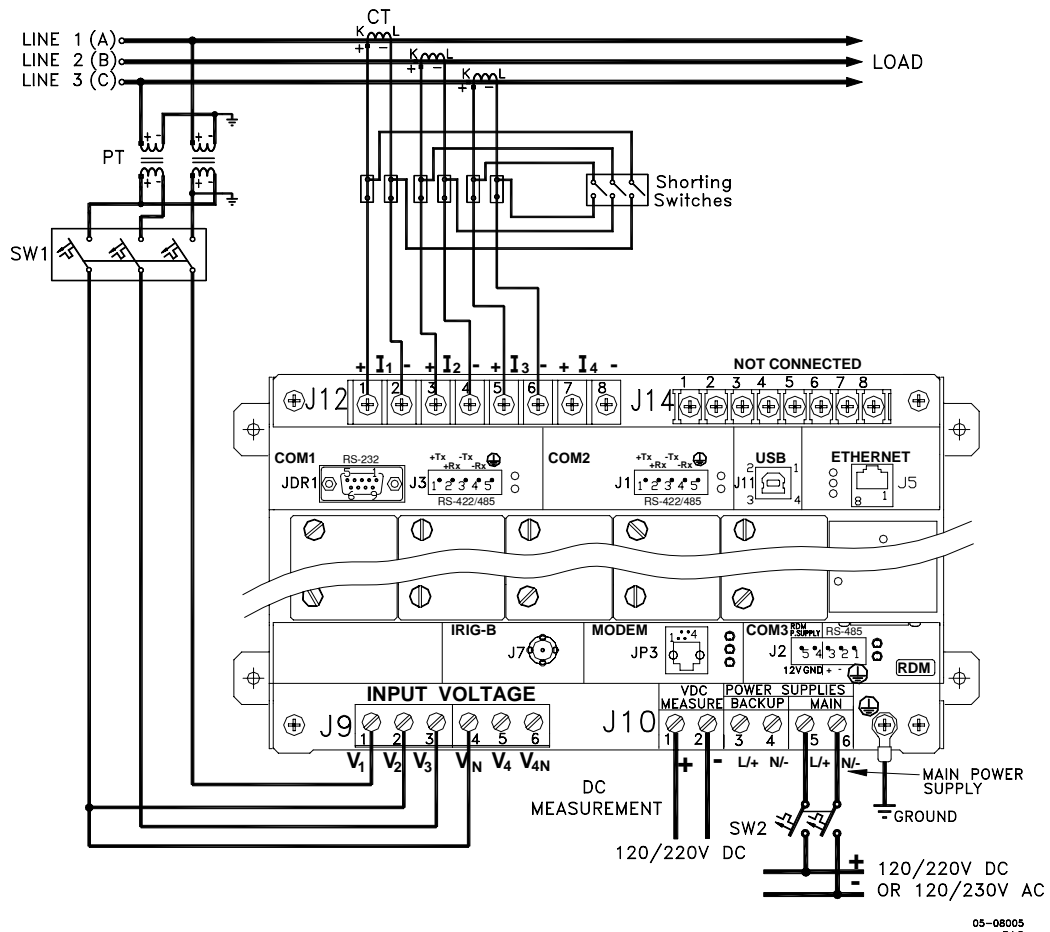
SA300 series Substation Automation Unit SA310/SA320/SA330 Installation Manual, BG0325 Rev. A8.

Subject:

SA300 with Broken Delta connection, ARM Firmware Version 10.3.12 and higher.

For broken delta connection, select 3bLn3 (line to neutral voltage readings) or 3bLL3 (line to line voltage readings) wiring mode from the meter Basic Setup menu. For further information about 3bLn3 and 3bLL3 wiring mode options, refer to the 3Ln3 and 3LL3 wiring modes respectively in the SA300 Installation Manual and in the appropriate Sa300 Communications Guides.

For broken delta wiring, refer to the following diagram:



Broken Delta Connection Using 2 PTs, 3 CTs (2½-element), Wiring Mode = 3bLn3 or 3bLL3